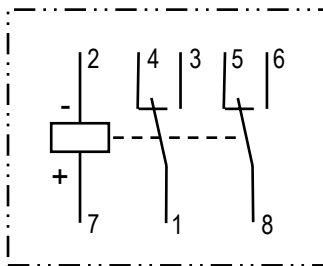
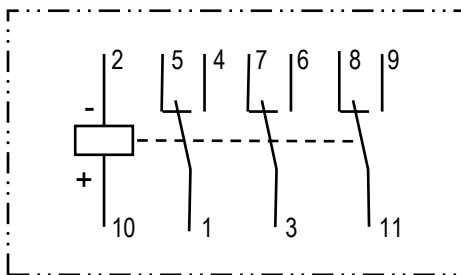




Diagram



MK2P-I



MK3P-I

- According to IEC 255, IEC 67-1, VDE 0435 part 201
- Plug-in relay module
- With 2 or 3 changeover contacts
- For switching low loads on request
- Relay module with LED on request
- AC or DC coil and circuit switching
- Design resulting in hi contact force, minimum bouncing time and noticeable with low power consumption and well suited for application in electrical circuit or as an auxiliary relay.

Application

Switching in various automation system, process control, switching circuit and communication system etc. It is characteristic of stable performance, high reliability, capable of making and breaking large load current, easy in maintenance and inspection as well as long service life. The interface relay consists of a socket and a plugable Relay module This allows a fast exchange of the relay module.

Type

MK2P-I AC 230 V
 · Output: 2 changeover contacts
 · Nominal voltage UN : AC 230 V

MK3P-I AC 230 V
 · Output: 3 changeover contacts
 · Nominal voltage UN : AC 230 V

Technical Data

Nominal voltage:	6-12-24-48-60-110-120-240-400V AC 6-12-24- 48-60-110-125V DC or request
Voltage range:	0,8 ... 1,15 U N
Resetting voltage:	DC: $\geq 0,1 V \times UN$ AC: $\geq 0,2 V \times UN$
Consumption:	1.6W / 2.8VA
Contacts	
	MK2P-I : 2 changeover contacts MK3P-I : 3 changeover contacts
Operate time:	20 ms
Release time:	20 ms
Switching voltage min.:	AC/DC 4 V
Switching voltage max.:	AC/DC 250 V
Switching load:	2500 VA, $\cos j = 1$
Thermal current I th:	10A @250V, Peak current 20A.
Switching capacity	EN 60 947-5-1
to AC 1:	2500VA
to DC 1:	0,2 A / 250 V
Electrical life	DIN VDE 0660 p. 200
at 10 A, AC 230 V, $\cos j = 1$:	2×10^5 switching cycles
Permissible switching	
Short circuit strength	
max. fuse rating:	10 A gL EN 60 947-5-1
Mechanical life:	$\geq 10^7$ switching cycles
General data	
Operating mode:	Continuous operation
Temperature range:	- 25 ... + 70°C
Clearance and creepage distances	
overvoltage category /	
contamination level:	4 kV / 2 DIN VDE 0110-1 (04.97)

**Relay module with plug-in socket
Interface relay plug-in type**



EMC

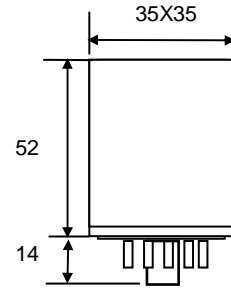
Electrostatic discharge: 8 kV (air) EN 61 000-4-2
 HF irradiation: 10 V/m EN 61 000-4-3
 Fast transients: 2 kV EN 61 000-4-4
 Surge voltages between wires for power supply: 2 kV EN 61 000-4-5
 between wire and ground: 4 kV EN 61 000-4-5
 HF-wire guided: 10 V EN 61 000-4-6
 Interference suppression: Limit value class B EN 55 011
Degree of protection: Housing: IP 50 EN 60 529
 Terminals: IP 20 EN 60 529

Vibration resistance: Amplitude 0,15 mm
 frequency: 1...35Hz EN 60 068-2-6
Climate resistance: 25 / 55 / 04 EN 60 068-1
Wire connection: bis zu 1 x 4,0 mm 2 solid
 2 x 2,5 mm 2 stranded wire
 2 x 1,5 mm 2 stranded wire
 DIN 46 228-1
Wire fixing: unloosable terminal screws
Mounting: DIN rail EN 50 022
Weight Relay module: 55 g
 Module with plug-in base: 97 g

Ordering Example

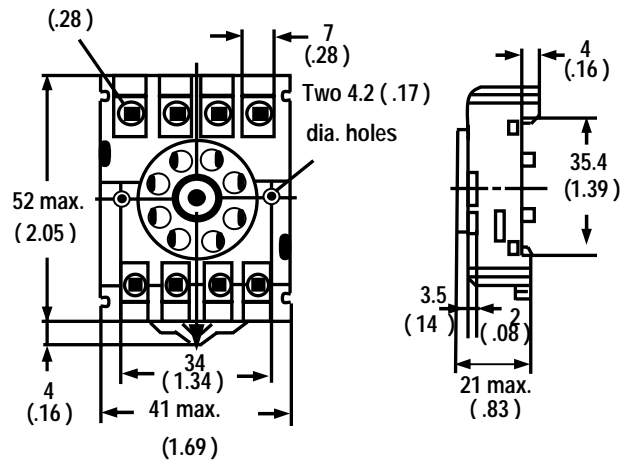
Relay Module MK2P-I, coil AC 230 V
 Plug base PF083A
 Or
 Relay Module MK3P-I coil AC 230 V
 Plug base PF113A

Dimension



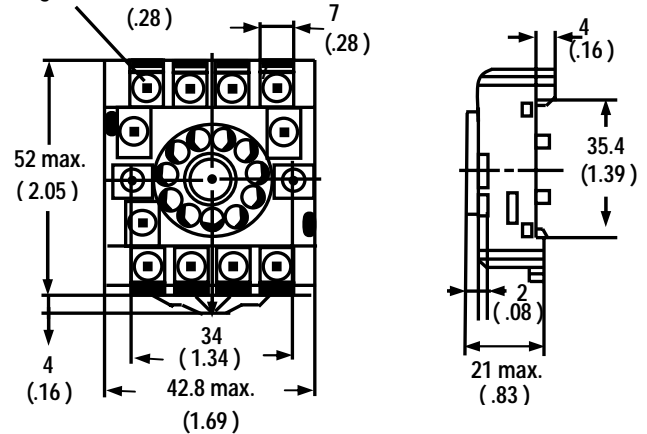
Plug Module PF083A for MK2P-I

Eight M3.5 x 7 sems



Plug Module PF113A for MK3P-I

Eight M3.5 x 7 sems



Overall

